

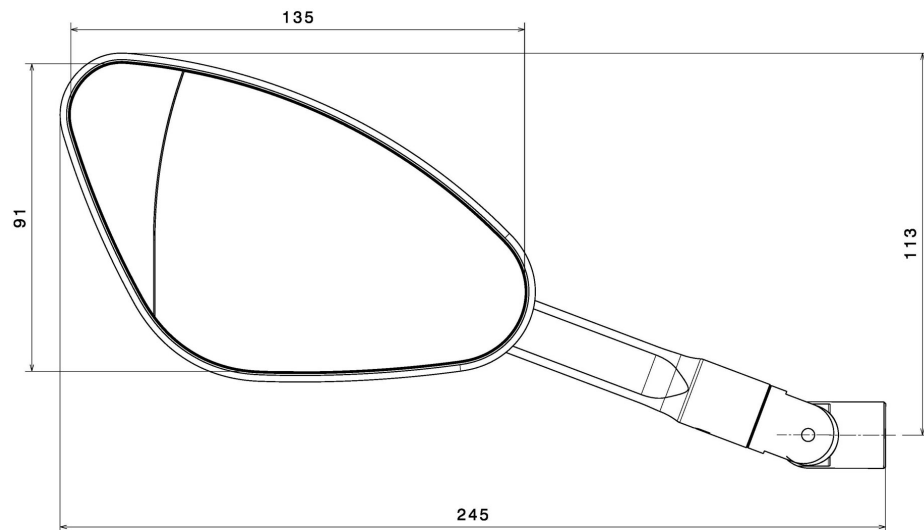
**E1**

000098

<b>Issued by:</b>	Kraftfahrt-Bundesamt DE-24932 Flensburg Germany
<b>Place &amp; Date of type-approval:</b>	Flensburg, 28.01.2019
<b>Place &amp; Date of extended approval:</b>	Flensburg, 24.01.2019
<b>Report No.:</b>	19-00008-CP-BWG-00
<b>Issued by:</b>	TÜV SÜD Auto Service GmbH DE-80686 München
<b>Date of issue:</b>	12.02.2019
<b>Approval identification:</b>	E1 000098

**Product Codes:** BS173A, BS173B, BS173Z, BS174A, BS174B, BS174Z

**Technical Drawing:**



<b>Marking:</b>	Engraved by laser.
<b>Field of application:</b>	2 or 3 wheel motorcycles and vehicles treated as such. (PTWs, ATVs, Scooters, Motorcycles, Moped)