

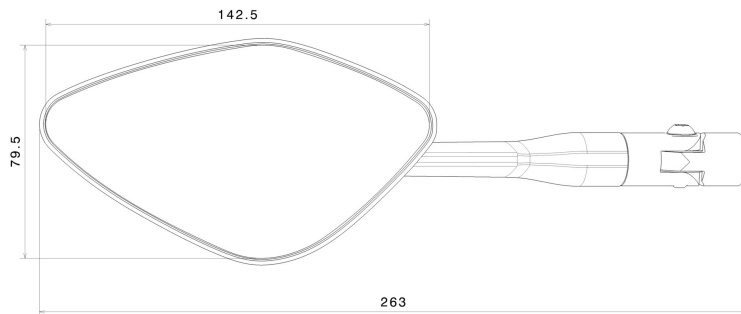
**E1**

81R00/02 0108 00

<b>Issued by:</b>	Kraftfahrt-Bundesamt Fördestraße 16 24944 Flensburg Germany
<b>Place &amp; Date of type-approval:</b>	Flensburg, 03.03.2020
<b>Report No.:</b>	20-00024-CP-BWG-00
<b>Issued by:</b>	TÜV SÜD Auto Service GmbH DE-80686 München
<b>Date of issue:</b>	04.02.2020
<b>Approval identification:</b>	E1 81R00/02 0108 00

**Product Codes:** BS322A, BS322B, BS322D, BS322Z, BS323A, BS323B, BS323D, BS323Z,

**Technical Drawing:**



<b>Marking:</b>	Engraved by laser.
<b>Field of application:</b>	2 or 3 wheel motorcycles and vehicles treated as such. (PTWs, ATVs, Scooters, Motorcycles, Moped)