



**MODEL** BMW S 1000 XR

**YEAR** 2015 ->

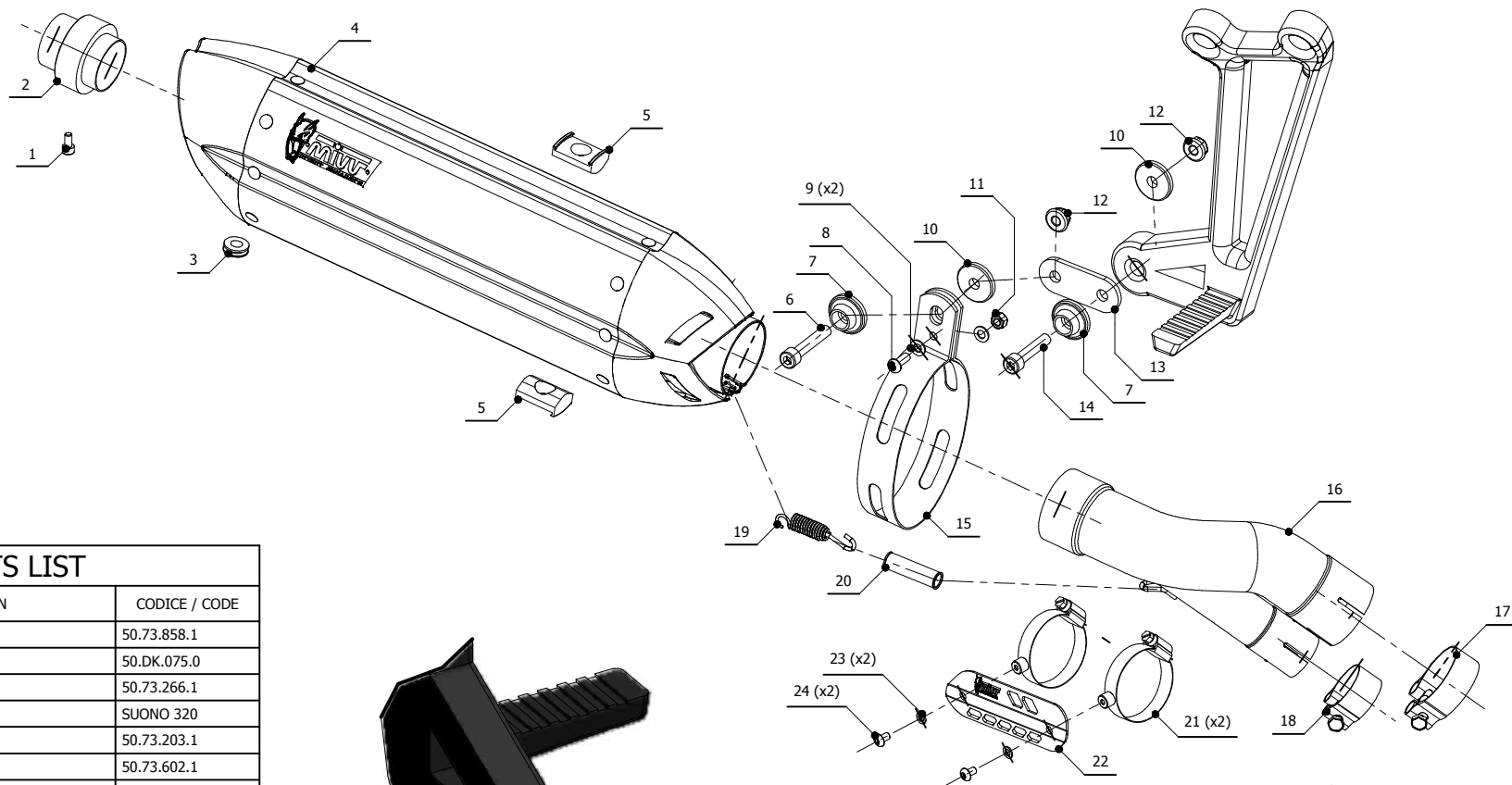
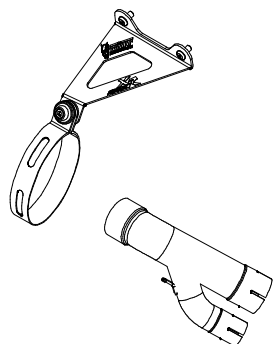
**LINE** SLIP ON

**MUFFLER** SUONO

**SCHEMATIC**

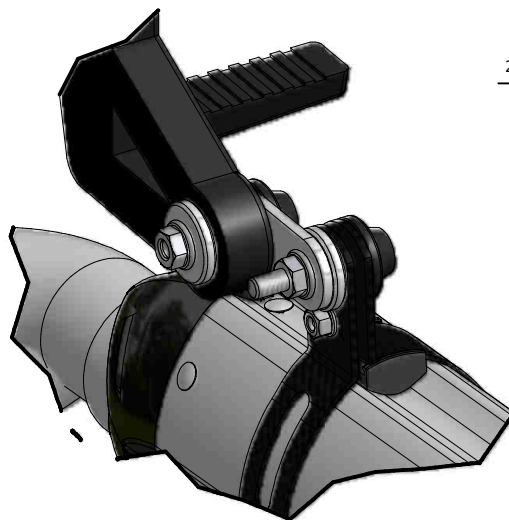
**PARTI OPZIONALI  
OPTIONAL PARTS**

COMPONENTI PASSAGGIO ALTO  
HIGH POSITION PARTS  
cod.: 00.73.ACC.035.S7



**ELENCO PARTI / PARTS LIST**

#	QTÀ / QTY	DESCRIZIONE / DESCRIPTION	CODICE / CODE
1	1	Vite M5x10 / Screw M5 x 10	50.73.858.1
2	1	DB killer / DB killer	50.DK.075.0
3	1	Tappo in gomma / Rubber stopper	50.73.266.1
4	1	Silenziatore / Muffler	SUONO 320
5	2	Tassello grande / Rubber big block	50.73.203.1
6	1	Vite M8x45 / Screw M8x45	50.73.602.1
7	2	Rondella in alluminio nera / Black aluminium washer	50.73.221.1
8	1	Vite M6 x 16 / Screw M6 x 16	50.73.175.1
9	2	Rondella M6 / Washer M6	50.72.027.1
10	2	Distanziale in alluminio / Aluminium spacer (Øe.30 Øi.8,5 h.5)	50.73.124.1
11	1	Dado M6 / Nut M6	50.73.146.1
12	2	Dado M8 flangiato / Flanged nut M8	50.73.393.1
13	1	Staffa / Bracket	50.SS.683.0
14	1	Vite M8x40 / Screw M8x40	50.73.075.1
15	1	Staffa in carbonio / Carbon fiber bracket	50.SS.256.1
16	1	Tubo di raccordo / Link pipe	9773B025SE
17	1	Fascetta Ø 48/51 mm / Pipe clamp Ø 48/51 mm	50.FA.007.1
18	1	Fascetta Ø 36/39 mm / Pipe clamp Ø 36/39 mm	50.FA.002.1
19	1	Molla corta / Short Spring	50.73.123.1
20	1	Tubo in gomma per molla / Rubber pipe for spring	50.73.210.1
21	2	Fascetta / Pipe clamp	50.73.795.1
22	1	Copertura in alluminio / Aluminium cover	50.CR.012.0
23	2	Rondella M5 / Washer M5	50.73.351.1
24	2	Vite M5 x 8 / Screw M5 x 8	50.73.233.1



**APPLICAZIONI / APPLICATIONS**

CODICE / CODE	SILENZIATORE / MUFFLER	TUBO / PIPE	FASCETTA / CLAMP
B.025.L7	INOX (COPPE CARBONIO) / ST. STEEL (CARBON CAPS)	INOX / ST. STEEL	CARBONIO / CARBON FIBER
B.025.L9	STEEL BLACK		