



MODEL HONDA CB 1000 R

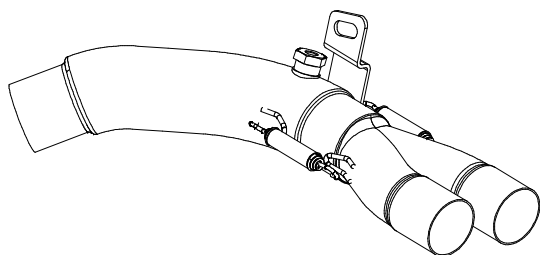
YEAR 2008 - 2017

LINE SLIP ON

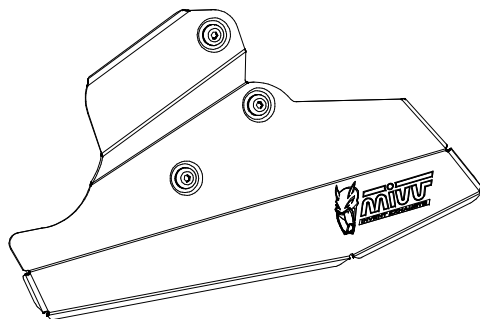
MUFFLER SUONO

SCHEMATIC

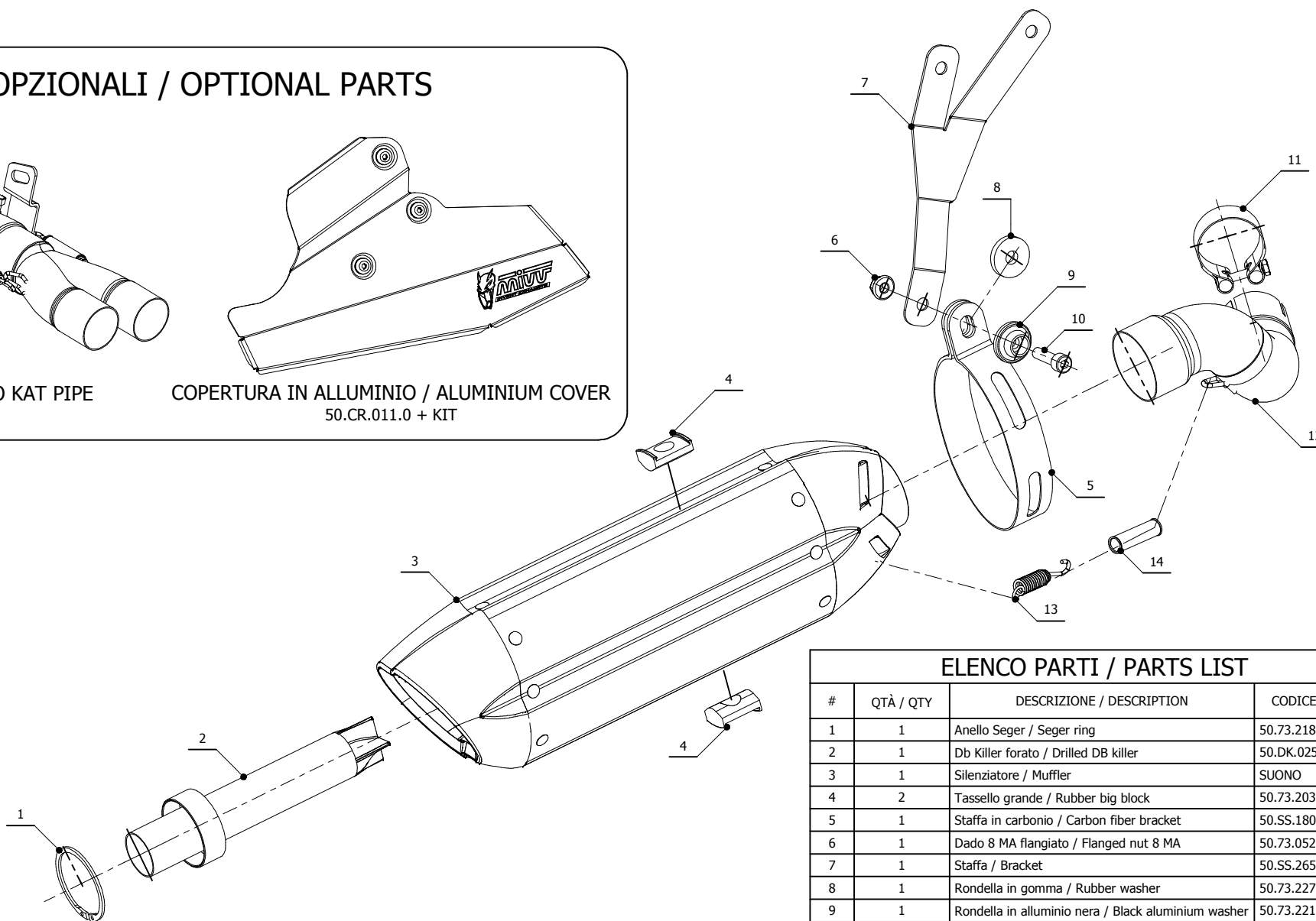
PARTI OPZIONALI / OPTIONAL PARTS



TUBO ELIMINA KAT / NO KAT PIPE
00.73.H.041.C1



COPERTURA IN ALLUMINIO / ALUMINIUM COVER
50.CR.011.0 + KIT



APPLICAZIONI / APPLICATIONS

CODICE / CODE	SILENZIATORE / MUFFLER	TUBO / PIPE	FASCETTA / CLAMP
H.041.L7	INOX (COPPE CARBONIO) / ST. STEEL (CARBON CAPS)		
H.041.L8	TITANIO (COPPE CARBONIO) / TITANIUM (CARBON CAPS)	INOX / ST. STEEL	CARBONIO / CARBON FIBER
H.041.L9	CARBONIO (COPPE CARBONIO) / CARBON (CARBON CAPS)		

ELENCO PARTI / PARTS LIST

#	QTÀ / QTY	DESCRIZIONE / DESCRIPTION	CODICE / CODE
1	1	Anello Seger / Seger ring	50.73.218.1
2	1	Db Killer forato / Drilled DB killer	50.DK.025.0
3	1	Silenziatore / Muffler	SUONO
4	2	Tassello grande / Rubber big block	50.73.203.1
5	1	Staffa in carbonio / Carbon fiber bracket	50.SS.180.1
6	1	Dado 8 MA flangiato / Flanged nut 8 MA	50.73.052.1
7	1	Staffa / Bracket	50.SS.265.1
8	1	Rondella in gomma / Rubber washer	50.73.227.1
9	1	Rondella in alluminio nera / Black aluminium washer	50.73.221.1
10	1	Vite M8x30 / Screw M8x30	50.73.219.1
11	1	Fascetta Ø 48/51 mm / Pipe clamp Ø 48/51 mm	50.FA.007.1
12	1	Tubo di raccordo / Link pipe	9773H041S2
13	1	Molla corta / Short Spring	50.73.123.1
14	1	Tubo in gomma per molla / Rubber pipe for spring	50.73.210.1