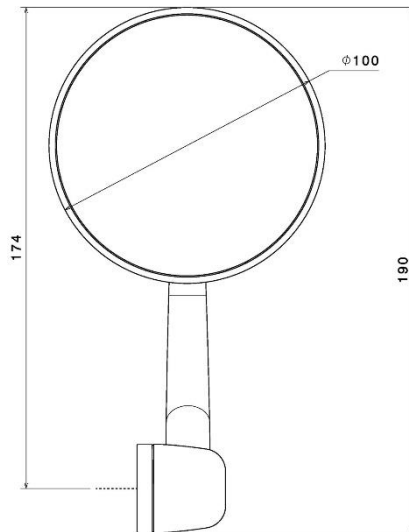


E1

000020

| | |
|---|---|
| Issued by: | Kraftfahrt-Bundesamt Fördestraße 16, 24944 Flensburg Germany |
| Place & Date of type-approval: | Flensburg, 15.05.2017 |
| Report No.: | 12-00097-CP-BWG-01 |
| Issued by: | TÜV SÜD AUTOMOTIVE GMBH DE-80686 München |
| Date of issue: | 07.04.2017 |
| Approval identification: | E1 000020 |

Product Codes: BS 192A, BS192B**Technical Drawing:**

| | |
|------------------------------|--|
| Marking: | Engraved by laser. |
| Field of application: | 2 or 3 wheel motorcycles and vehicles treated as such. (PTWs, ATVs, Scooters, Motorcycles, Moped) |

