



MODEL YAMAHA YZF R6

YEAR 2017 -->

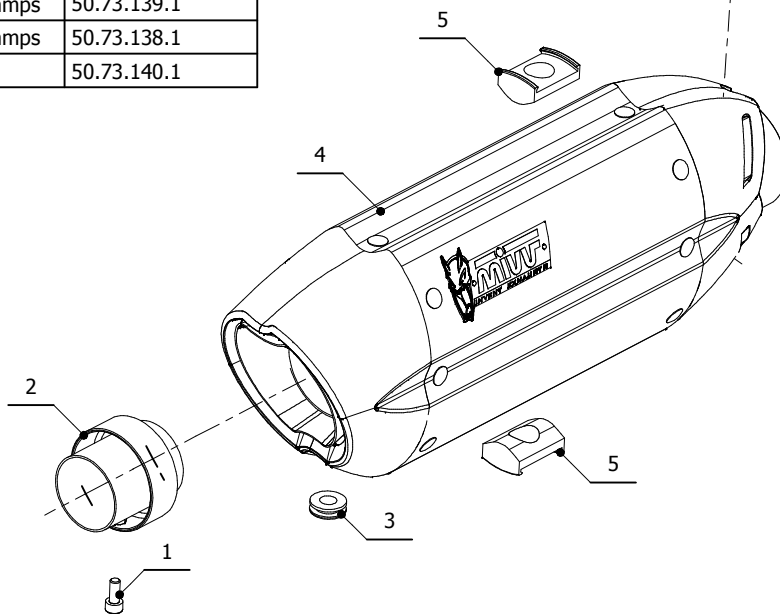
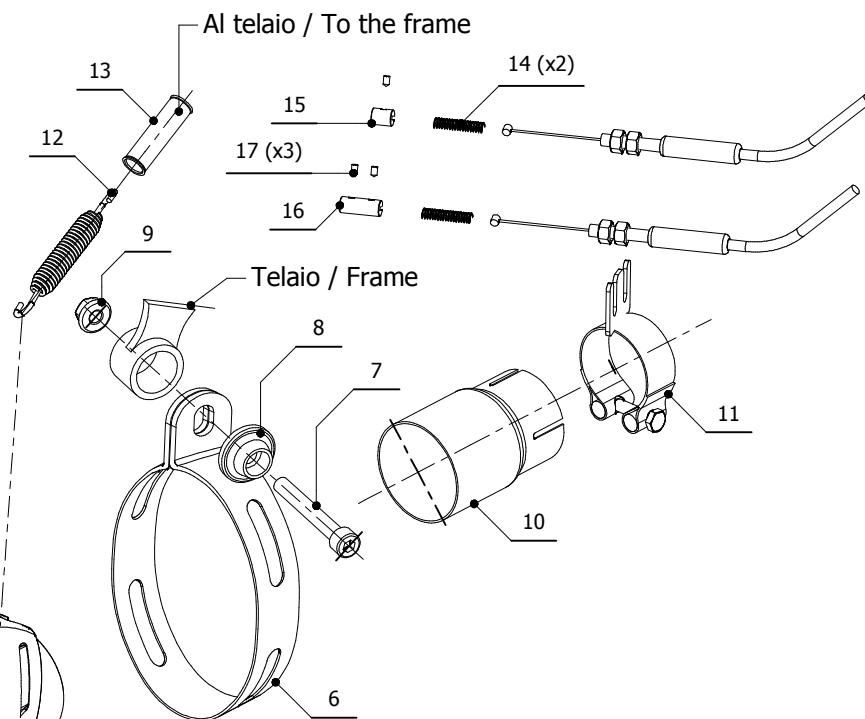
LINE SLIP ON

MUFFLER SUONO

SCHEMATIC

ELENCO PARTI / PARTS LIST

#	QTÀ / QTY	DESCRIZIONE / DESCRIPTION	CODICE / CODE
1	1	Vite M5x12 / Screw M5 x 12	50.73.628.1
2	1	DB killer / DB killer	50.DK.075.0
3	1	Tappo in gomma / Rubber stopper	50.73.266.1
4	1	Silenziatore / Muffler	SUONO 200
5	2	Tassello / Rubber block	50.73.203.1
6	1	Staffa in carbonio / Carbon fiber bracket	50.SS.200.1
7	1	Vite M8x60 / Screw M8x60	50.73.078.1
8	1	Rondella in alluminio / Aluminium washer	50.73.221.1
9	1	Dado M8 flangiato / Flanged nut M8	50.73.393.1
10	1	Tubo di raccordo / Link pipe	9773Y021S2
11	1	Fascetta passacavi / fairlead clamp	50.SS.1003.0
12	1	Molla lunga / Long spring	50.71.080.1
13	1	Gommino per molla / Rubber for spring	50.73.210.1
14	2	Molla / Spring	50.73.142.1
15	1	Morsetti in alluminio / Aluminium clamps	50.73.139.1
16	1	Morsetti in alluminio / Aluminium clamps	50.73.138.1
17	3	Grani M3 / Grub screws M3	50.73.140.1



APPLICAZIONI / APPLICATIONS

CODICE / CODE	SILENZIATORE / MUFFLER	TUBO / PIPE	FASCETTA / CLAMP
Y.063.L7	INOX (COPPE CARBONIO) / ST. STEEL (CARBON CAPS)	INOX / ST. STEEL	CARBONIO / CARBON FIBER
Y.063.L9	STEEL BLACK		