

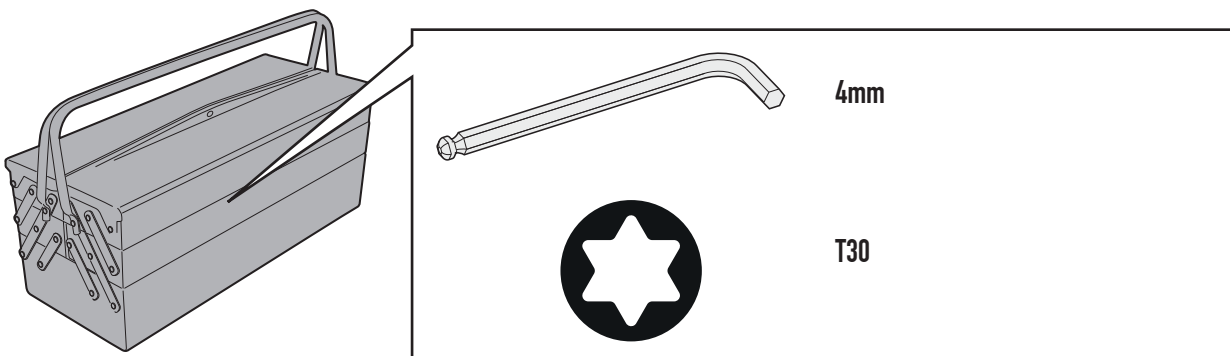
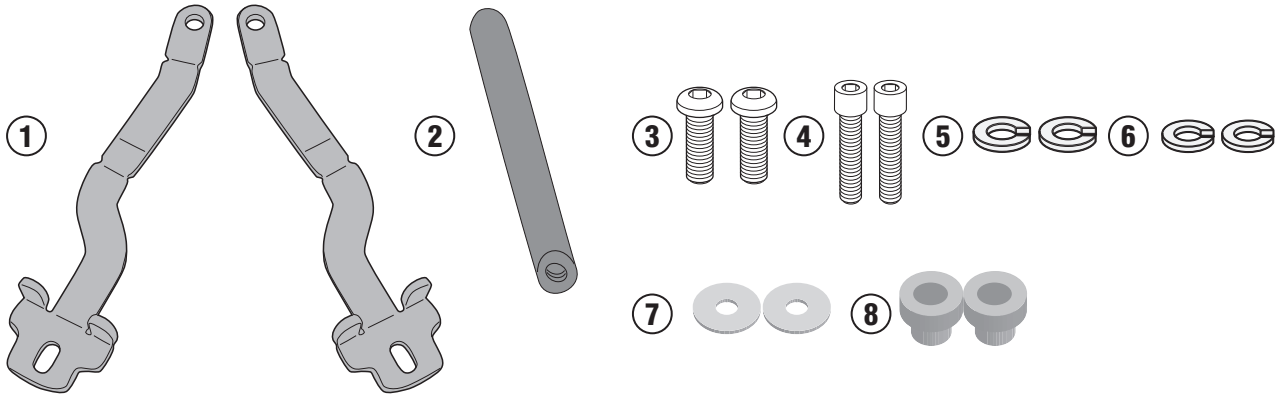
FB7710 – KFB7710

Traversino – Fairing upper bracket – Support gps pour carenage – Barra – Halterung zur montage am windschild – Suporte KTM 790 ADVENTURE (2019)

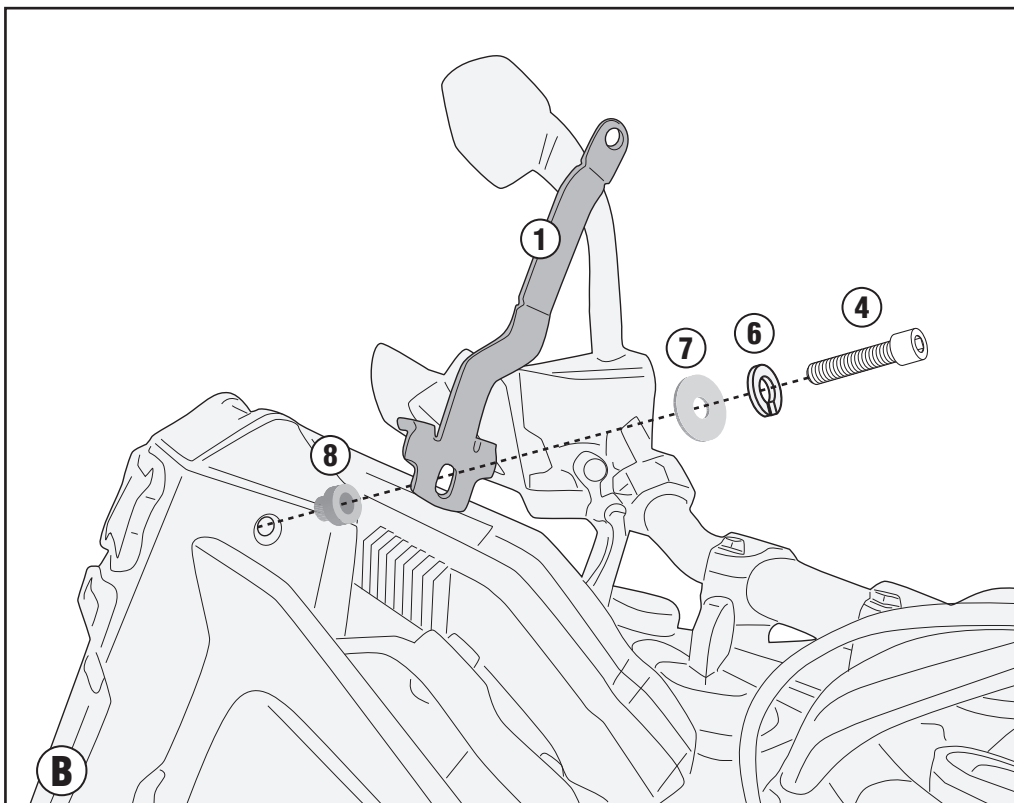
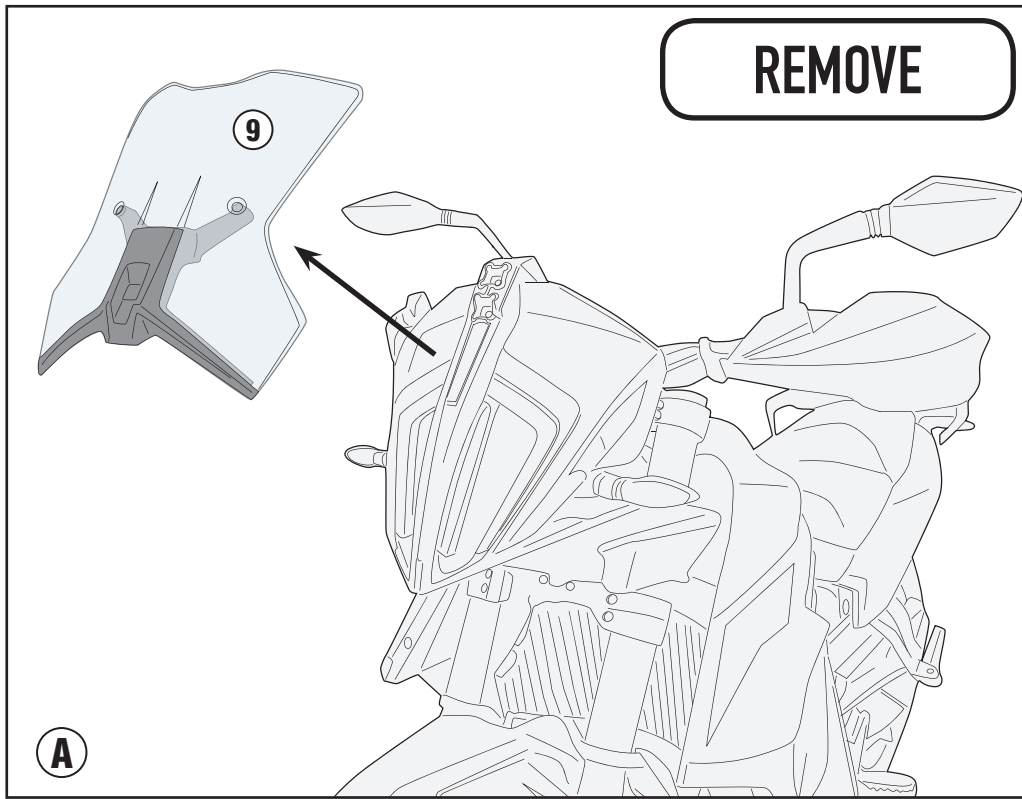
N°	Descrizione	Caratteristiche	Codice	Quantità
1	Supporto laterale - Lower frame Support latéral - Soporte lateral Untere Halterung - Suporte lateral	-	GL4217DXV GL4217SXV	2 (Right/Left)
2	Supporto - Support - Support Halterung - Soporte - Apoio	-	V974T	1
3	Vite - Screw Vis - Schraube Tornillo - Parafuso	TBEIFF M6x16	616TBEIFF	2
4	Vite - Screw Vis - Schraube Tornillo - Parafuso	TCE M5x20	520TCE	2
5	Rondella spaccata - Split washer Scheibe - Rondelle fendue Arandela seccionada - Arruela quebrada	Ø6	Z1063	2
6	Rondella spaccata - Split washer Scheibe - Rondelle fendue Arandela seccionada - Arruela quebrada	Ø5	Z1049	2
7	Rondella - Washer Rondelle - Scheibe Arandela - Arruela	Foro Ø5mm/ Esterno Ø15mm	515RON	2
8	Distanziale - Spacer Entretoise - Distanzstueck Distanciador - Espaçador	-	V064	2
9	Componenti Originali - Original Parts Parties Originales - Original Bauteile Componentes Originales - Componentes Originais	-	-	-

FB7710 - KFB7710

Traversino - Fairing upper bracket - Support gps pour carenage - Barra -
Halterung zur montage am windschild - Suporte
KTM 790 ADVENTURE (2019)



FB7710 – KFB7710
Traversino – Fairing upper bracket – Support gps pour carenage – Barra –
Halterung zur montage am windschild – Suporte
KTM 790 ADVENTURE (2019)



FB7710 - KFB7710

Traversino - Fairing upper bracket - Support gps pour carenage - Barra -
Halterung zur montage am windschild - Suporte
KTM 790 ADVENTURE (2019)

