



MODEL BMW S 1000 XR

YEAR 2015 ->

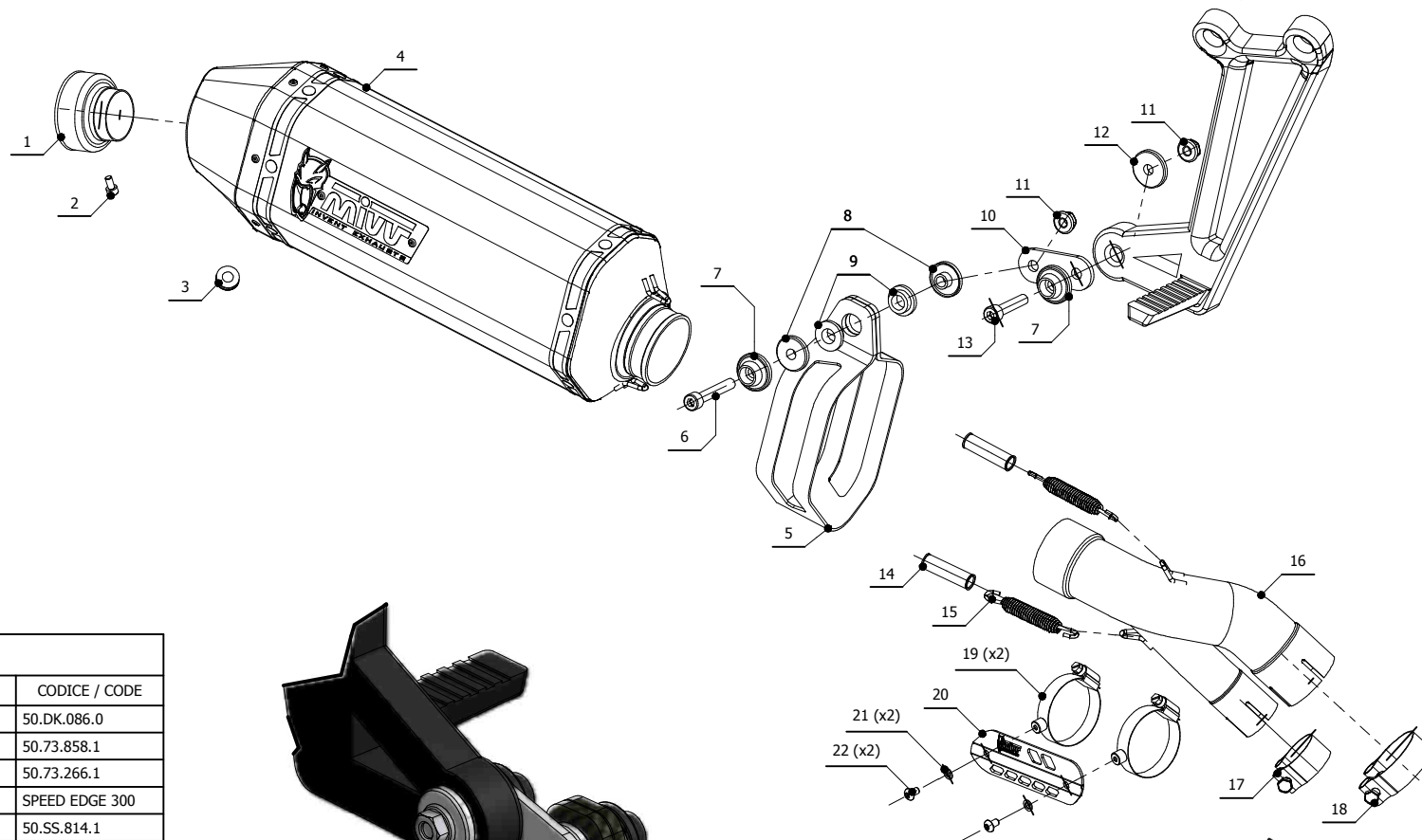
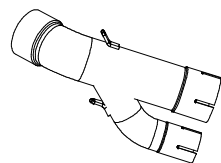
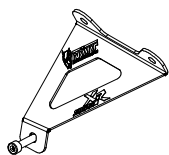
LINE SLIP ON

MUFFLER SPEED EDGE

SCHEMATIC

**PARTI OPZIONALI
OPTIONAL PARTS**

COMPONENTI PASSAGGIO ALTO
HIGH POSITION PARTS
cod.: 00.73.ACC.035.SRX



ELENCO PARTI / PARTS LIST

#	QTÀ / QTY	DESCRIZIONE / DESCRIPTION	CODICE / CODE
1	1	DB killer / DB killer	50.DK.086.0
2	1	Vite M5 x 10 / Screw M5 x 10	50.73.858.1
3	1	Tappo in gomma / Rubber stopper	50.73.266.1
4	1	Silenziatore / Muffler	SPEED EDGE 300
5	1	Staffa in carbonio / Carbon fiber bracket	50.SS.814.1
6	1	Vite M8x50 / Screw M8x50	50.73.074.1
7	2	Rondella in alluminio nera / Black aluminium washer	50.73.221.1
8	2	Boccola / Bush	50.73.381.1
9	2	Silentblock / Silentblock	50.73.380.1
10	1	Staffa / Bracket	50.SS.683.0
11	2	Dado M8 flangiato / Flanged nut M8	50.73.393.1
12	1	Distanziale in alluminio / Aluminium spacer (Øe.30 Øi.8,5 h.5)	50.73.124.1
13	1	Vite M8x40 / Screw M8x40	50.73.075.1
14	2	Tubo in gomma per molla / Rubber pipe for spring	50.73.210.1
15	2	Molla media / Mid-size spring	50.73.359.1
16	1	Tubo di raccordo / Link pipe	9773B025SRX
17	1	Fascetta Ø 36/39 mm / Pipe clamp Ø 36/39 mm	50.FA.002.1
18	1	Fascetta Ø 48/51 mm / Pipe clamp Ø 48/51 mm	50.FA.007.1
19	2	Fascetta / Pipe clamp	50.73.795.1
20	1	Copertura in alluminio / Aluminium cover	50.CR.012.0
21	2	Rondella M5 / Washer M5	50.73.351.1
22	2	Vite M5 x 8 / Screw M5 x 8	50.73.233.1



APPLICAZIONI / APPLICATIONS

CODICE / CODE	SILENZIATORE / MUFFLER	TUBO / PIPE	FASCETTA / CLAMP
B.025.LRX	INOX (COPPE CARBONIO) / ST. STEEL (CARBON CAPS)	INOX / ST. STEEL	CARBONIO / CARBON FIBER
B.025.LRB	STEEL BLACK		