



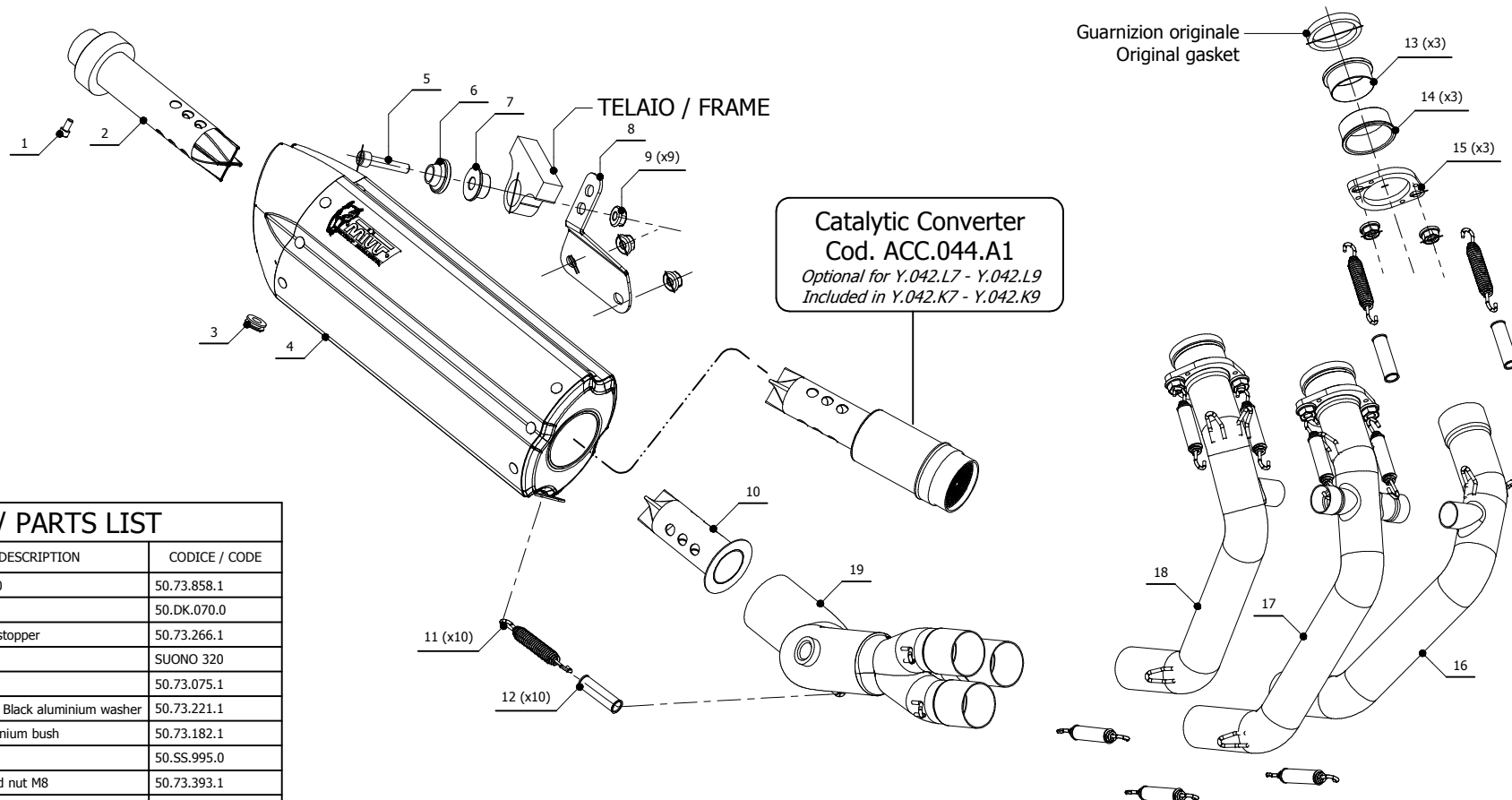
MODEL YAMAHA MT-09

YEAR 2013 -->

LINE FULL SYSTEM

MUFFLER SUONO

SCHEMATIC



ELENCO PARTI / PARTS LIST

#	QTÀ / QTY	DESCRIZIONE / DESCRIPTION	CODICE / CODE
1	1	Vite M5x10 / Screw M5 x 10	50.73.858.1
2	1	DB killer / DB killer	50.DK.070.0
3	1	Tappo in gomma / Rubber stopper	50.73.266.1
4	1	Silenziatore / Muffler	SUONO 320
5	1	Vite M8x40 / Screw M8x40	50.73.075.1
6	1	Rondella in alluminio nera / Black aluminium washer	50.73.221.1
7	1	Bussola in alluminio / Aluminium bush	50.73.182.1
8	1	Staffa / Bracket	50.SS.995.0
9	9	Dado M8 flangiato / Flanged nut M8	50.73.393.1
10	1	Db Killer / DB killer	50.DK.081.0
11	10	Molla media / Middle spring	50.73.359.1
12	10	Tubo in gomma per molla / Rubber pipe for spring	50.73.210.1
13	3	Boccola interna in acciaio / Internal steel bush	50.73.337.1
14	3	Boccola esterna in acciaio / External steel bush	50.73.338.1
15	3	Flangia in alluminio / Aluminium flange	50.73.339.1
16	1	Collettore #1 / Down pipe #1	9773Y049S2A
17	1	Collettore #2 / Down pipe #2	9773Y049S2B
18	1	Collettore #3 / Down pipe #3	9773Y049S2C
19	1	Tubo di raccordo 3-1 / Link pipe 3-1	9773Y042S2D

APPLICAZIONI / APPLICATIONS

CODICE / CODE	SILENZIATORE / MUFFLER	TUBO / PIPE	FASCETTA / CLAMP	NOTE
Y.042.L7 Y.042.L9	INOX (COPPE CARBONIO) / ST. STEEL (CARBON CAPS) STEEL BLACK	INOX / ST. STEEL	///	CATALYTIC CONVERTER NOT INCLUDED
Y.042.K7 Y.042.K9	INOX (COPPE CARBONIO) / ST. STEEL (CARBON CAPS) STEEL BLACK	INOX / ST. STEEL	///	CATALYTIC CONVERTER INCLUDED

