

Kit Contents		
Description	Part No	Pcs
Steering damper, stroke 68	02262-20	1
Bracket assembly	02230-10	1
Screw M8 x 40	01046-21	1
Spacer (8/13/10)	00805-01	1
Screw M8 x 30	01046-30	1
Washer	00153-01	2
Tie wrap	00231-01	1
Teflon spacer	02259-01	1
Resistor	21702-01	1
Öhlins sticker	00192-01	2
Öhlins Owner's Manual	07261-01	1

👁 Note!

Please note that there can be small differences between your product and the images in these instructions.

👁 Note!

Please note that during storage and transport, especially at high ambient temperature, some of the oil and grease used for assembly may leak and stain the packaging. This will not cause damage to the product, wipe off the excessive oil or grease with a cloth.

👁 Note!

Before you install this product, check the kit contents. If anything is missing, please contact an Öhlins dealer.

⚠ Warning!

Before you install this product, read the Öhlins Owner's manual. This product is an important part of the vehicle and the vehicle stability.

Steering damper for Suzuki GSXR600/ 750/ 1000

SD 030

Mounting Instructions



MOUNTING INSTRUCTIONS

⚠ Warning!

We strongly recommend to let an Öhlins dealer install this product.

⚠ Warning!

If you work with a lifted vehicle, make sure that it is safely supported to prevent it from tipping over.

👁 Note!

When you work with this product, see the vehicle service manual for vehicle specific procedures and important data.

👁 Note!

Before you install this product clean the vehicle.

1

Put the motorcycle on a work stand.

2

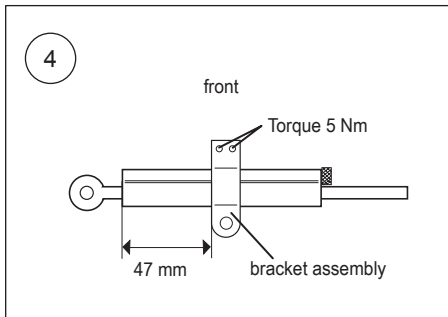
Loosen and remove the cover underneath the lower triple clamp.

3

Loosen and remove the original steering damper.

4

Install the Öhlins steering damper to the bracket assembly (02230-10). Install it according to the figure.

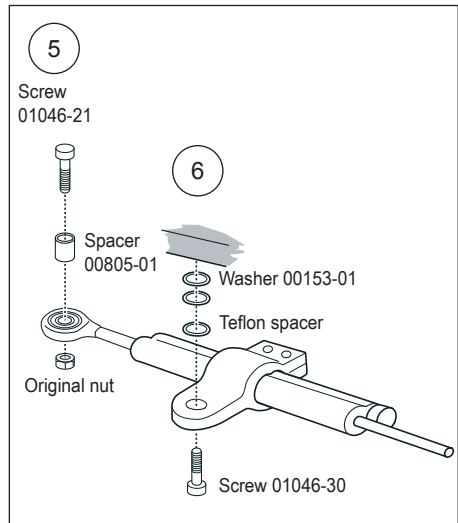


5

Install the Öhlins steering damper to the original mounting points. Use the screw (01046-21), spacer (00805-01) and the original nut to the bracket in the triple clamp.

6

Use the screw (1046-30) and washers (00153-01) provided in this kit. Install the teflon spacer between the Öhlins bracket and the washers.



👁 Note!

Make sure there is clearance when turning the steering to the left and right end positions and that the damper is not used as a stop.

7

Tighten the bolts to the correct torque. See the vehicle service manual for correct torque.

MOUNTING INSTRUCTIONS

8

Connect the resistor provided in this kit to the original wiring harness. Fasten the resistor to metal object, use the tie-rap provided.

⚠ Caution!

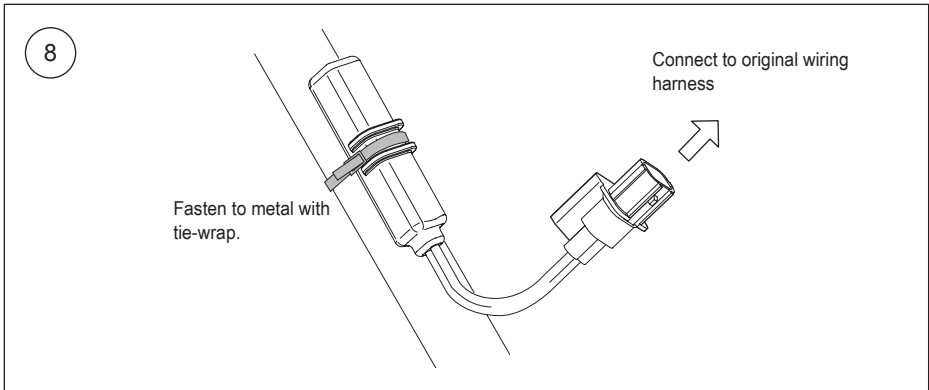
The resistor can become very hot, around 80° C.

👁 Note!

Make sure that the steering has clearance for turning both to the left and to the right end positions, and that the damper is not used as a stop.

⚠ Caution!

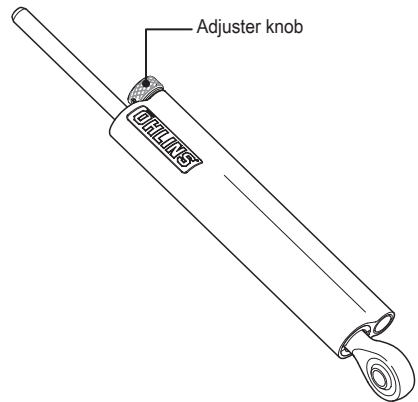
Make sure that you tighten all screws to the correct torque and that nothing fouls or restricts movement of the shock absorber/front fork/steering damper when the suspension is fully compressed or extended.



ADJUSTMENTS

⚠ Warning!

Before you ride/drive, always make sure that the setup is according to the recommended setup data. Read about adjustments and setting up in the Öhlins Owner's Manual before you make any adjustments. Contact an Öhlins dealer if you have any questions about setting up.



SETUP DATA

Rec. set up	10	clicks
-------------	----	--------

Öhlins products are subject to continuous improvement and development, therefore, although these instructions include the most up-to-date information available at the time of printing, minor updates may occur.

To find the latest information contact an Öhlins distributor. Please contact Öhlins if you have any questions regarding the contents in this document.

Part no. MI_SD030_1
Issued 2013-12-09



© Öhlins Racing AB. All rights reserved. Any reprinting or unauthorized use without the written permission of Öhlins Racing AB is prohibited.

Öhlins Racing AB
Box 722
S-194 27 Upplands Väsby, Sweden
Phone +46 8 590 025 00
fax +46 8 590 025 80



www.ohlins.com