



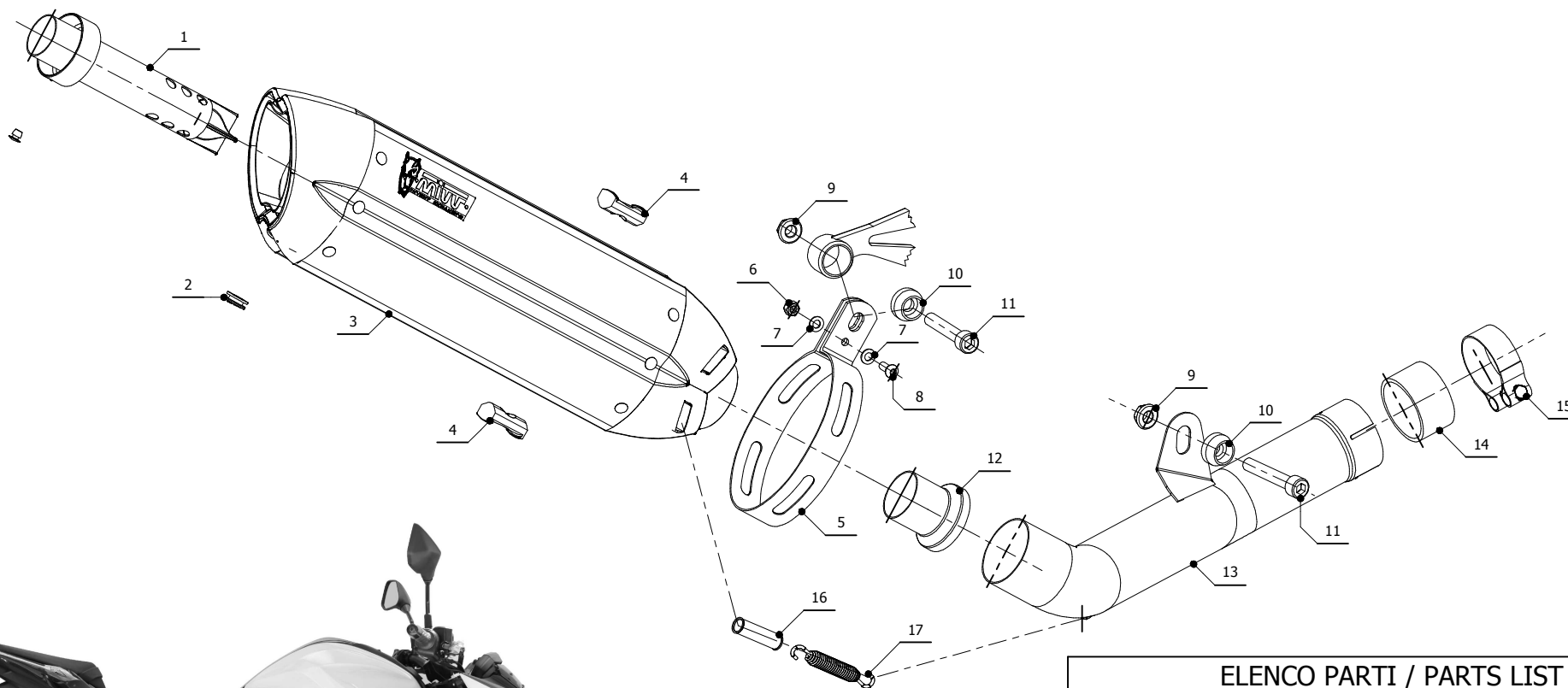
MODEL KAWASAKI Z800 E

YEAR 2013 -->

LINE SPORT

MUFFLER SUONO

SCHEMATIC



ELENCO PARTI / PARTS LIST

| # | QTÀ / QTY | DESCRIZIONE / DESCRIPTION | CODICE / CODE |
|----|-----------|---|----------------|
| 1 | 1 | DB killer / DB killer | 50.DK.070.0 |
| 2 | 1 | Tappo in gomma / Rubber stopper | 50.73.266.1 |
| 3 | 1 | Silenziatore / Muffler | SUONO 320 |
| 4 | 2 | Tassello grande / Rubber big block | 50.73.203.1 |
| 5 | 1 | Staffa in carbonio / Carbon fiber bracket | 50.SS.256.1 |
| 6 | 1 | Dado M6 / Nut M6 | 50.73.146.1 |
| 7 | 2 | Rondella M6 / Washer M6 | 50.72.027.1 |
| 8 | 1 | Vite M6 x 16 / Screw M6 x 16 | 50.73.175.1 |
| 9 | 2 | Dado 10 MA flangiato / Flanged nut 10 MA | 50.73.332.1 |
| 10 | 2 | Rondella in alluminio nera / Black aluminium washer | 50.73.326.1 |
| 11 | 2 | Vite M10x60 / Screw M10x60 | 50.73.135.1 |
| 12 | 1 | DB killer / DB killer | 50.DK.065.0 |
| 13 | 1 | Tubo di raccordo / Link pipe | 9773K035S2 |
| 14 | 1 | Guarnizione in grafite / Graphite bush | 50.72.48.54.30 |
| 15 | 1 | Fascetta Ø 52/55 mm / Pipe clamp Ø 52/55 mm | 50.FA.008.1 |
| 16 | 1 | Tubo in gomma per molla / Rubber pipe for spring | 50.73.210.1 |
| 17 | 1 | Molla media / Middle spring | 50.73.359.1 |

APPLICAZIONI / APPLICATIONS

| CODICE / CODE | TUBO / PIPE | SILENZIATORE / MUFFLER | FASCETTA / CLAMP |
|---------------|------------------|---|-------------------------|
| K.035.L7 | INOX / ST. STEEL | INOX (COPPE CARBONIO) / ST. STEEL (CARBON CAPS) | CARBONIO / CARBON FIBER |
| K.035.L9 | INOX / ST. STEEL | STEEL BLACK | CARBONIO / CARBON FIBER |