



THE NETHERLANDS  
(N E D E R L A N D)



COMMUNICATION


Concerning:

- approval granted
- ~~approval extended~~
- ~~approval refusal~~
- ~~approval withdrawn~~
- ~~production definitely discontinued~~


of a type of ~~front position lamps, rear position lamps, stop lamps, direction indicators~~ and rear-registration-plate illuminating devices for mopeds, motor cycles and vehicles treated as such pursuant to Regulation number 50.

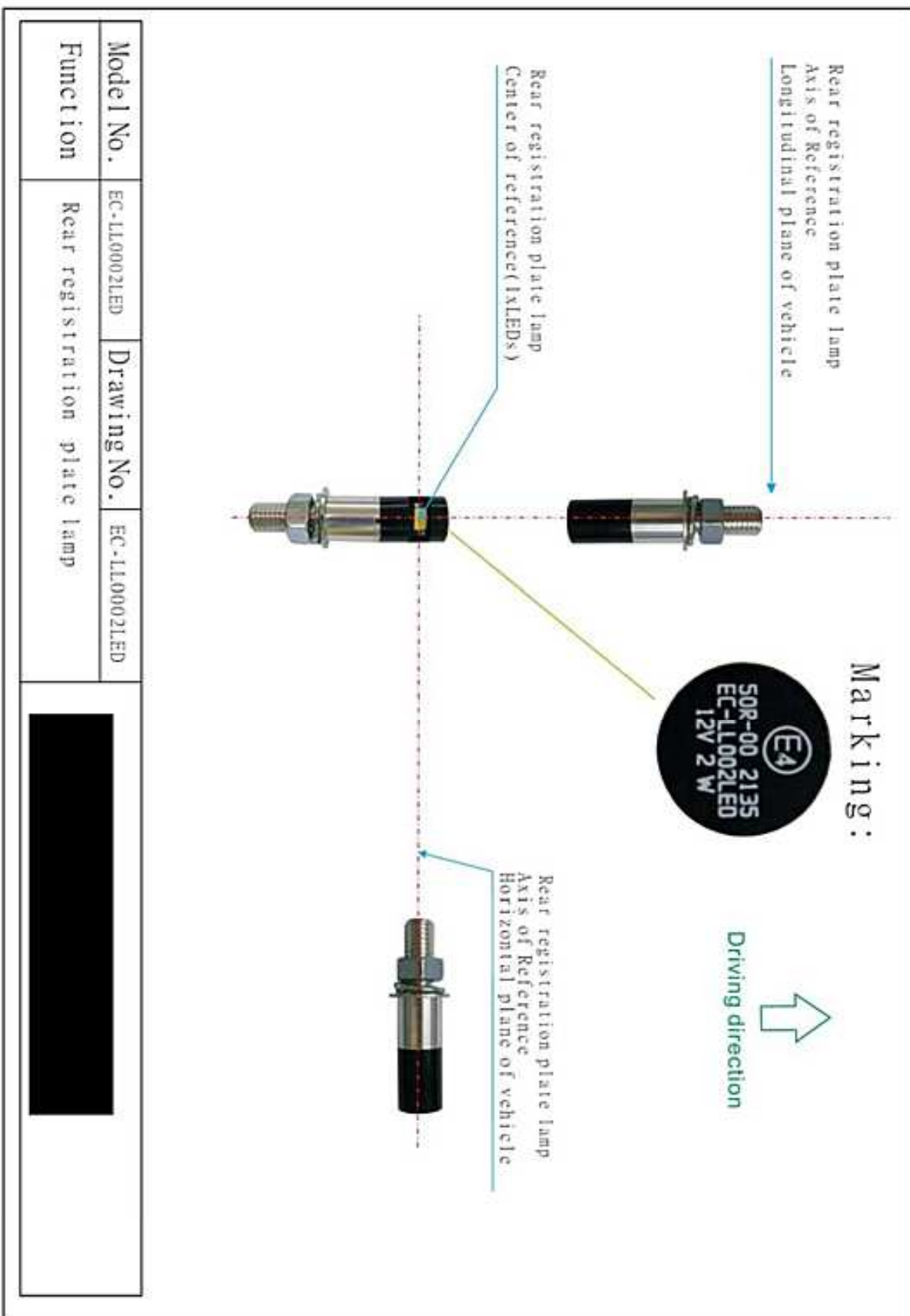
Approval number: E4-50R-00 2135

Extension number: 00

1. Trade name or mark of the device : EC
2. Manufacturer's name for the type of device : EC-LL002LED
3. Manufacturer's name and address : 
4. If applicable, name and address of the manufacturer's representative : --
5. Submitted for approval on : 30 November 2012
6. Technical service responsible for conducting approval tests : DEKRA Certification B.V.
7. Date of report issued by that service : 15 January 2013
8. Number of report issued by that service : 2157508-PHO 12-207-26
9. Concise description :  
By category of lamp : category 1&2 Rear registration plate lamp

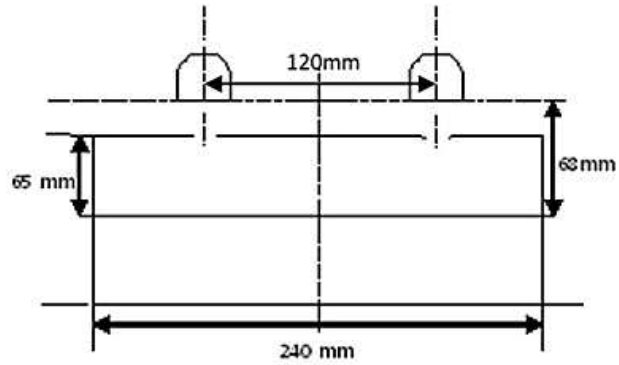
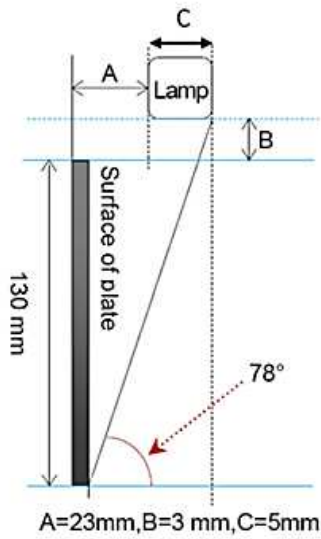


- Colour of light emitted : Rear registration plate lamp: white
- Number and category(ies) of filament lamp(s) : Rear registration plate lamp: 1 x LED, 12V, 2W
- Light source module : ~~yes~~/no
- Light source module specific identification code : --
- Geometrical conditions of installation and relating variations, if any : --
- Application of an electronic light source control gear/variable intensity control:
- (a) Being part of the lamp : ~~yes/no~~/not applicable
- (b) Being not part of the lamp : ~~yes/no~~/not applicable
- Input voltage(s) supplied by an electronic light source control gear/variable intensity control : --
- Electronic light source control gear/variable intensity control manufacturer and identification number (when the light source control gear is part of the lamp but is not included into the lamp body) : --
10. Position of the approval mark : See annexed drawing
11. Reason(s) for extension (if applicable) : --
12. Approval : granted/~~refused~~/~~extended~~/~~withdrawn~~
13. Place : Zoetermeer
14. Date :
15. Signature :  R.F.R. Clement
16. The list of documents deposited with the Administrative Service which has granted approval is annexed to this communication and may be obtained upon request.
- 2 drawings No. EC-LL002LED, Geometrical conditions of installation and Determination of the apparent surface (annexed)
  - Test report as mentioned in item 8.



Geometrical conditions of installation

**R50.00 Rear registration plate lamp Category 1**



**R50.00 Rear registration plate lamp Category 2**

