



**MODEL** BMW R 1200 GS

**YEAR** 2010 - 2012

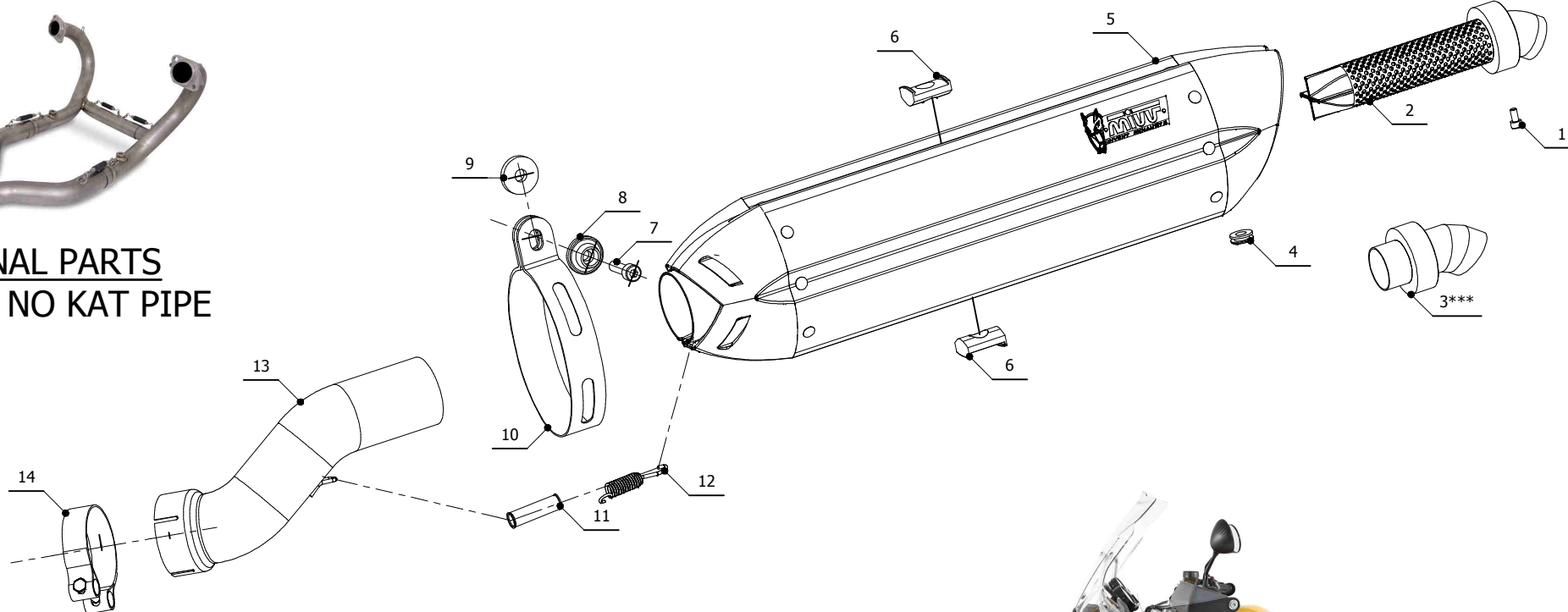
**LINE** SLIP ON

**MUFFLER** SUONO

**SCHEMATIC**



**OPTIONAL PARTS**  
B.012.C1 - NO KAT PIPE



**ELENCO PARTI / PARTS LIST**

#	QTÀ / QTY	DESCRIZIONE / DESCRIPTION	CODICE / CODE
1	1	Vite M5x10 / Screw M5 x 10	50.73.858.1
2	1	Db Killer forato / Drilled DB killer	50.DK.042.0
3	1	Db Killer Racing / Racing DB killer	50.DK.040.0
4	1	Tappo in gomma / Rubber stopper	50.73.266.1
5	1	Silenziatore / Muffler	SUONO 380
6	2	Tassello grande / Rubber big block	50.73.203.1
7	1	Vite M8x30 / Screw M8x30	50.73.219.1
8	1	Rondella in alluminio nera / Black aluminium washer	50.73.221.1
9	1	Rondella in gomma / Rubber washer	50.73.227.1
10	1	Staffa in carbonio / Carbon fiber bracket	50.SS.180.1
11	1	Tubo in gomma per molla / Rubber pipe for spring	50.73.210.1
12	1	Molla corta / Short Spring	50.73.123.1
13	1	Tubo di raccordo / Link pipe	9773B012SN
14	1	Fascetta Ø 64/67 mm / Pipe clamp Ø 64/67 mm	50.FA.011.1



\*\*\* ATTENZIONE. La rimozione del dB-killer può causare il danneggiamento delle frecce o di altre parti in plastica.  
\*\*\* WARNING. Removal of dB-killer could cause melting of the traffic indicator light or other plastic parts.

**APPLICAZIONI / APPLICATIONS**

CODICE / CODE	SILENZIATORE / MUFFLER	TUBO / PIPE	FASCETTA / CLAMP
B.012.L7	INOX (COPPE CARBONIO) / ST. STEEL (CARBON CAPS)	INOX / ST. STEEL	CARBONIO / CARBON FIBER
B.012.L9	CARBONIO (COPPE CARBONIO) / CARBON (CARBON CAPS)	INOX / ST. STEEL	CARBONIO / CARBON FIBER