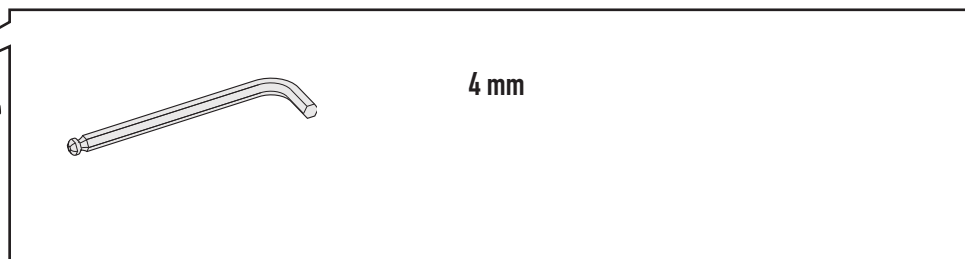
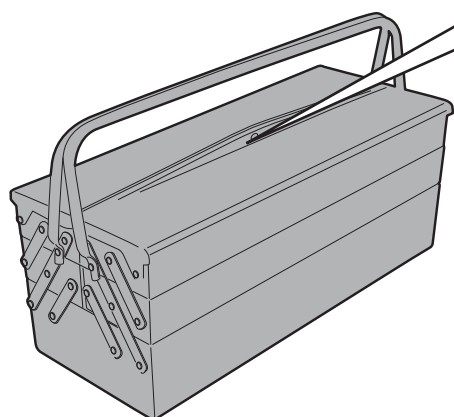
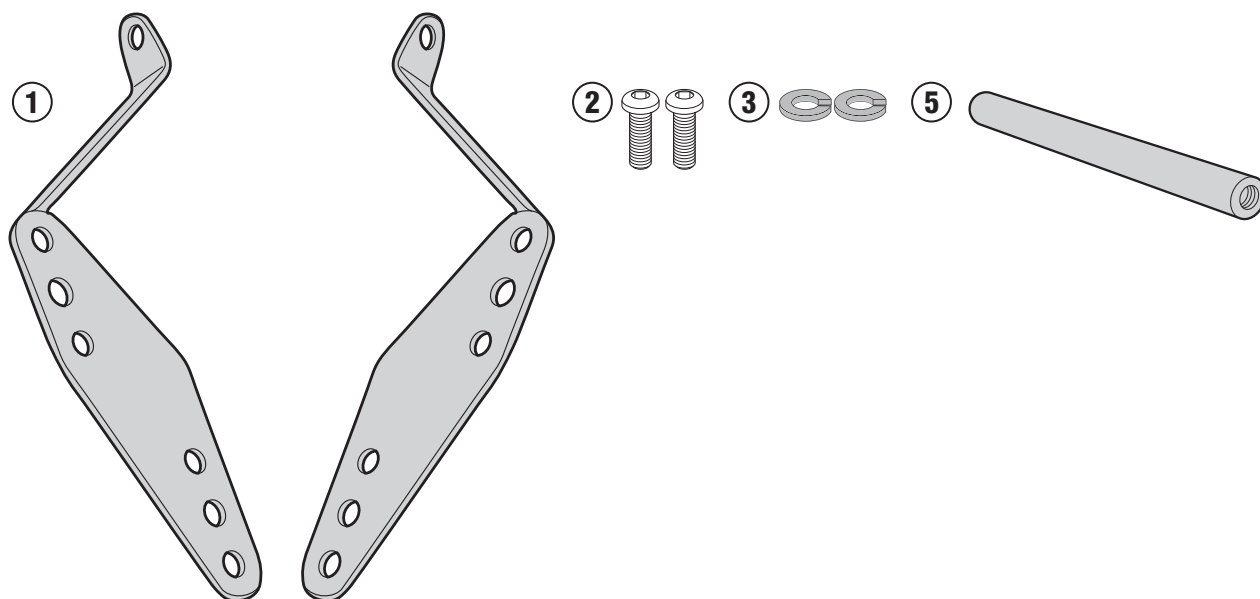


FB3114 - KFB3114
TRAVERSINO - FAIRING UPPER BRACKET - SUPPORT GPS POUR CARENAGE - BARRA -
HALTERUNG ZUR MONTAGE AM WINDSCHILD - SUPORTE
SUZUKI DL 1000 V-STROM (2017)

N°	Descrizione	Caratteristiche	Codice	Quantità
1	Supporto - Support - Support Halierung - Soporte - Apoio	-	GL3549DXV GL3549SXV	2(Dx-Sx)
2	Vite - Screw Vis - Schraube Tornillo - Parafuso	TBEIFF M6x16	616TBEIFF	2
3	Rondella - Washer - Rondelle Scheibe - Arandela - Arruela	-	Z1063	2
4	Componenti Originali - Original Parts Parties Originales - Original Bauteile Componentes Originales - Componentes Originais	-	-	-
5	Ponte - Bridge - Pont Brücke - Puente - Ponte	-	GNB1824	1

FB3114 - KFB3114

TRAVERSINO - FAIRING UPPER BRACKET - SUPPORT GPS POUR CARENAGE - BARRA -
HALTERUNG ZUR MONTAGE AM WINDSCHILD - SUPORTE
SUZUKI DL 1000 V-STROM (2017)



FB3114 - KFB3114
TRAVERSINO - FAIRING UPPER BRACKET - SUPPORT GPS POUR CARENAGE - BARRA -
HALTERUNG ZUR MONTAGE AM WINDSCHILD - SUPORTE
SUZUKI DL 1000 V-STROM (2017)

