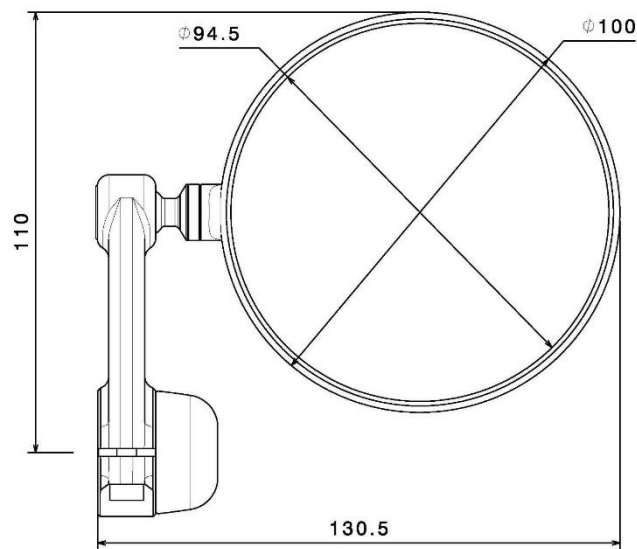


**E1**

000043

<b>Issued by:</b>	Kraftfahrt-Bundesamt Fördestraße 16, 24944 Flensburg Germany
<b>Place &amp; Date of type-approval:</b>	DE-24932 Flensburg, 10.12.2014
<b>Report No.:</b>	14-00173-CP-BWG-00
<b>Issued by:</b>	TÜV SÜD AUTOMOTIVE GMBH DE-80686 München
<b>Date of issue:</b>	06.11.2014
<b>Approval identification:</b>	E1 000043

**Product Codes:** BS300A, BS300B**Technical Drawing:**

<b>Marking:</b>	Engraved by laser.
<b>Field of application:</b>	2 or 3 wheel motorcycles and vehicles treated as such. (PTWs, ATVs, Scooters, Motorcycles, Moped)

