



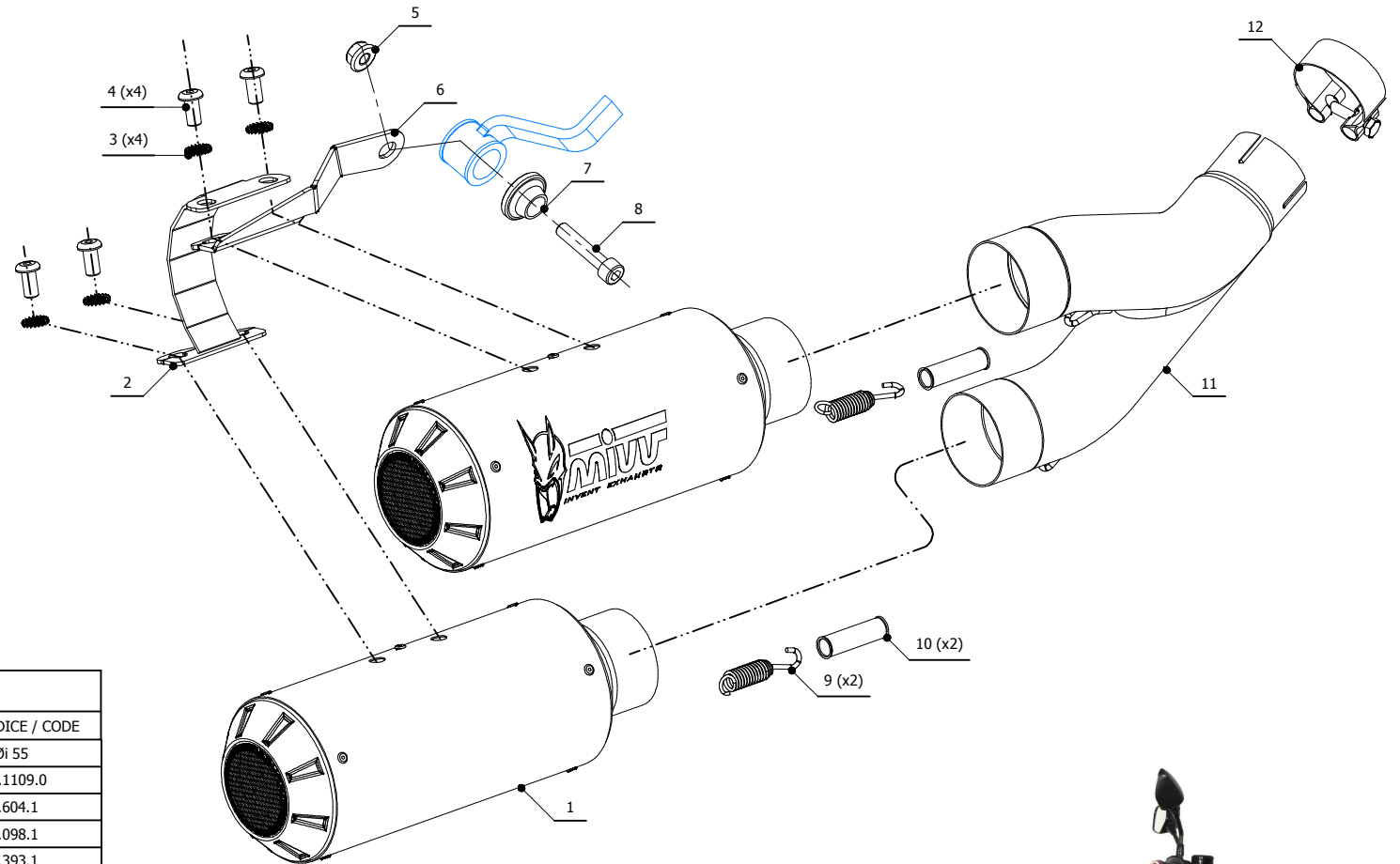
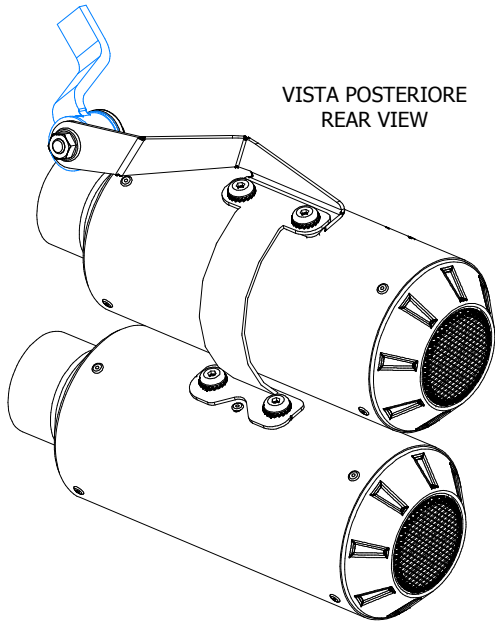
MODEL HONDA CB 1000 R

YEAR 2018 -->

LINE SLIP ON

MUFFLER M3

SCHEMATIC



ELENCO PARTI / PARTS LIST

#	QTÀ / QTY	DESCRIZIONE / DESCRIPTION	CODICE / CODE
1	2	Silenziatore / Muffler	M3 Øi 55
2	1	Staffa / Bracket	50.SS.1109.0
3	4	Rondella di sicurezza / Safety washer	50.73.604.1
4	4	Vite M8 x 16 / Screw M8 x 16	50.73.098.1
5	1	Dado M8 flangiato / Flanged nut M8	50.73.393.1
6	1	Staffa / Bracket	50.SS.1129.0
7	1	Rondella in alluminio nera / Black aluminium washer	50.73.221.1
8	1	Vite M8x40 / Screw M8x40	50.73.075.1
9	2	Molla corta / Short Spring	50.73.123.1
10	2	Tube in gomma per molla / Rubber pipe for spring	50.73.210.1
11	1	Tube di raccordo / Link pipe	9773H069SM3X
12	1	Fascetta Ø 48/51 mm / Pipe clamp Ø 48/51 mm	50.FA.007.1

APPLICAZIONI / APPLICATIONS

CODICE / CODE	SILENZIATORE / MUFFLER	LOGO	TUBO / PIPE
H.069.LM3B	STEEL BLACK	LASER	INOX / ST. STEEL
H.069.LM3C	CARBONIO / CARBON FIBER	ALUMINIUM LABEL	
H.069.LM3X	INOX / ST. STEEL	LASER	

