

N E D E R L A N D  
(THE NETHERLANDS)

## COMMUNICATION

Concerning: APPROVAL GRANTED  
~~APPROVAL EXTENDED~~  
~~APPROVAL REFUSED~~  
~~APPROVAL WITHDRAWN~~  
~~PRODUCTION DEFINITELY DISCONTINUED~~

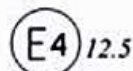
of a type of headlamp pursuant to Regulation No. 20

Approval No.: E4-20R-0220582


Extension No.: --

Approval mark:

HC/R



0220582

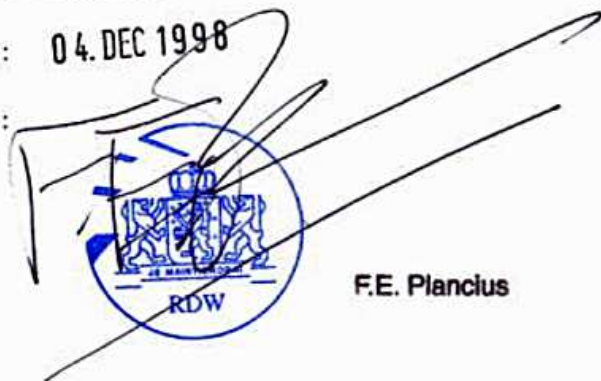
- |    |  |   |  |
|----|--|---|--|
| 1. | Trade name or mark of the device                                 | : | JUTE 9811  |
| 2. | Manufacturer's name for the type of device                       | : | JUTE 9811  |
| 3. | Manufacturer's name and address                                  | : |    |
| 4. | If applicable, name and address of manufacturer's representative | : | not applicable   |
| 5. | Submitted for approval on  | : | July 13 to July 21, 1998   |
| 6. | Technical service responsible for conducting the test            | : | TÜV Kraftfahrt GmbH<br>Institut für Verkehrssicherheit<br>Typprüfstelle Fahrzeuge/Fahrzeugteile<br>Postfach 91 09 51<br>D-51101 Köln / Germany |



Approval No.: E4-20R-0220582

Extension No.: --

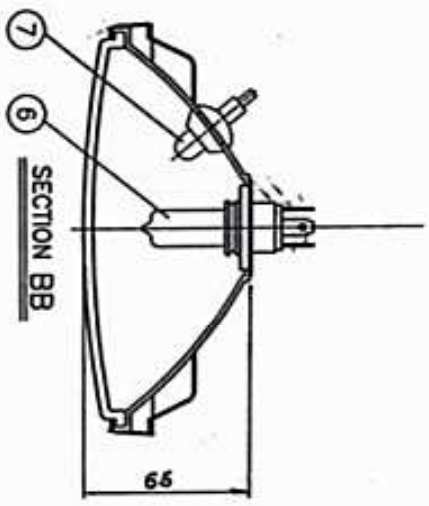
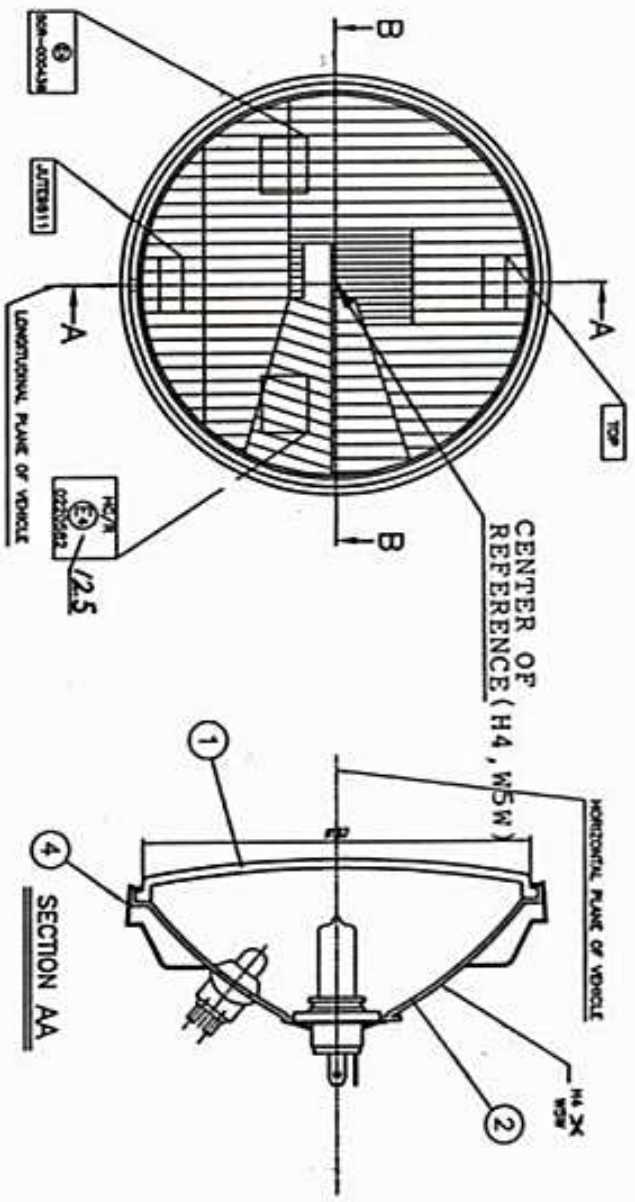
7. Date of test report : November 11, 1998
8. Number of test report : 84-R20-437/98
9. Brief description
- Category as described by the relevant marking : HC/R
- Colour of light emitted : white / ~~selective yellow~~
10. Position of the approval mark : on the lens
11. Reason(s) for extension (if applicable) : not applicable
12. Approval : granted / ~~refused~~ / ~~extended~~ / ~~withdrawn~~
13. Place : Zoetermeer
14. Date : 04. DEC 1998
15. Signature :



F.E. Planclus

16. The list of documents deposited with the Administrative Service which has granted approval is annexed to this communication and may be obtained on request.

- Application form, relating to ECE approval for a head lamp pursuant to Regulation No. 20
- A drawing of the dimensioned head lamp and their cross sections (attached)
- The test report as mentioned in item 8



NO	QTY	NAME	UNIT	REMARKS	QTY	UNIT	REMARKS	QTY	UNIT	REMARKS
1	1	LENS	PC							
2	1	REFLECTOR	PC							
3	1	PRM	PC							
4	1	PRM HOLDER	PC							
5	1	COVER	PC							
6	1	BULB	27W/25W							
7	1	BULB	12W/8W							

