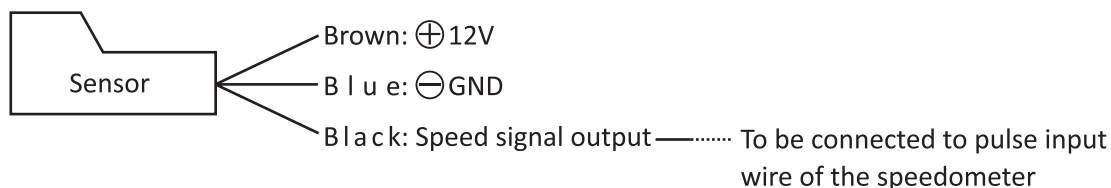


Instruction of Proximity Sensor

- This product sends signals to Daytona speedometers.
- To calibrate the speed, go to “Auto Calibration Mode” of VELONA or ASURA speedometers.
(See Instruction of VELONA or ASURA)

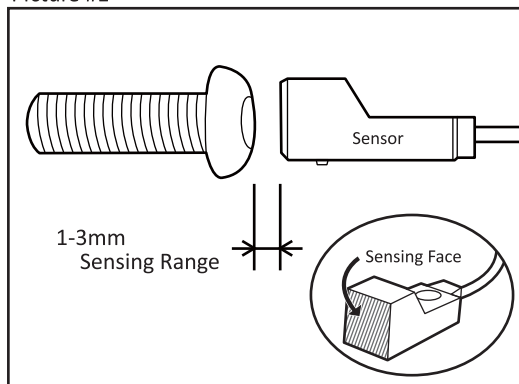
Wiring Diagram



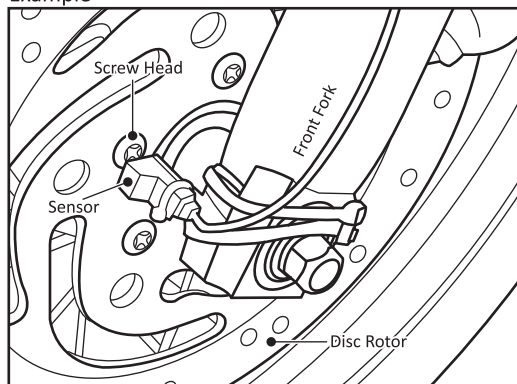
Installation

- ★ Need to make a special bracket to mount the sensor on an appropriate place.
- ★ Place the sensor near the screw head of the brake disc rotor, driven sprocket or something that rotates as the bike runs.
- ★ The stable sensing range is 1-3mm. Keep 1-3mm distance between the sensor and the screw head as per the picture #1.

Picture #1



Example



⚠ caution

Be sure that sensor and/or bracket are firmly fixed on the bike, and that it will not contact any other moving/rotating objects.
Mismatching of the sensor and/or bracket may cause serious injury or damage.