



MODEL KYMCO X-CITING 400

YEAR 2013 -->

LINE SLIP ON

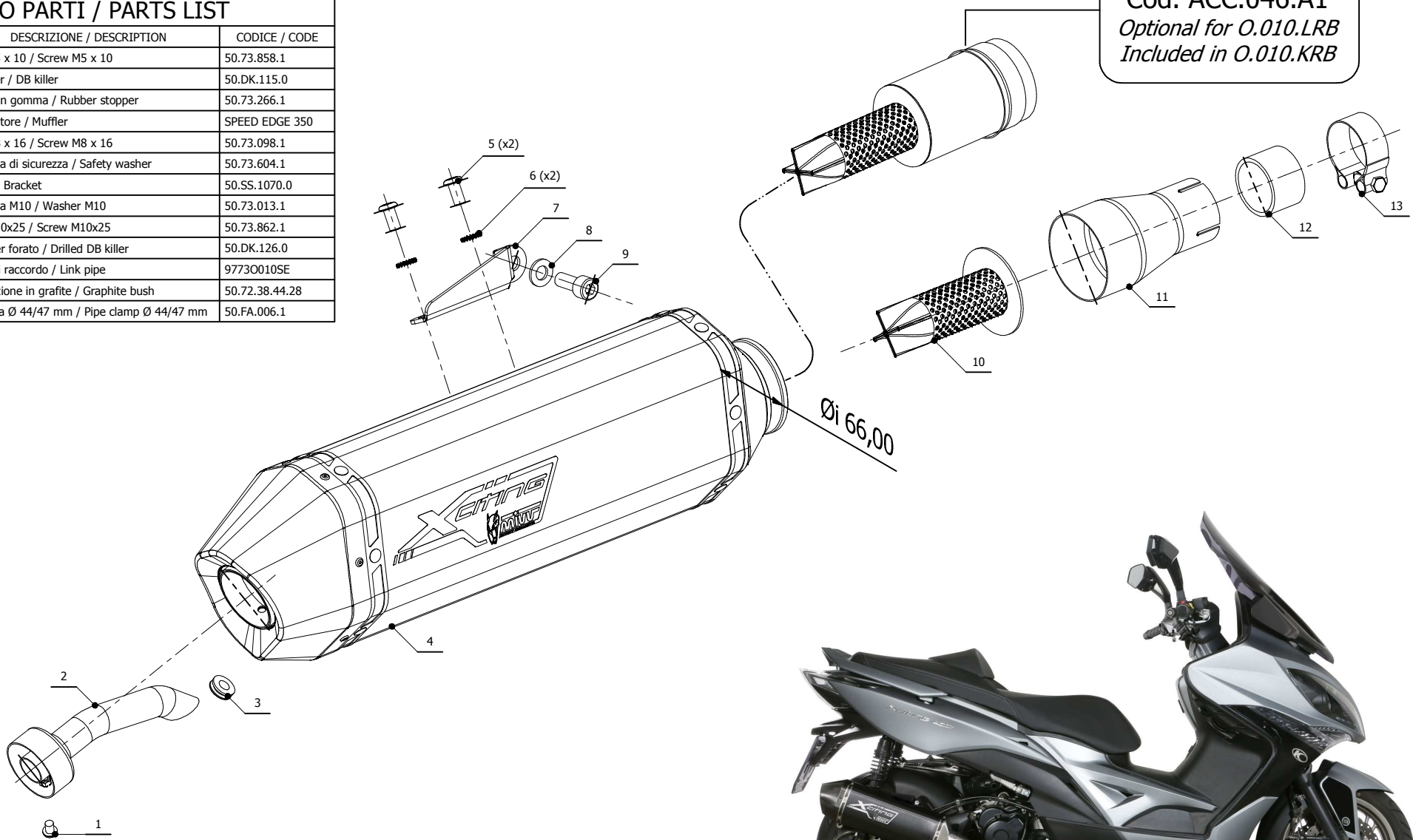
MUFFLER SPEED EDGE

SCHEMATIC

ELENCO PARTI / PARTS LIST

#	QTÀ / QTY	DESCRIZIONE / DESCRIPTION	CODICE / CODE
1	1	Vite M5 x 10 / Screw M5 x 10	50.73.858.1
2	1	DB killer / DB killer	50.DK.115.0
3	1	Tappo in gomma / Rubber stopper	50.73.266.1
4	1	Silenziatore / Muffler	SPEED EDGE 350
5	2	Vite M8 x 16 / Screw M8 x 16	50.73.098.1
6	2	Rondella di sicurezza / Safety washer	50.73.604.1
7	1	Staffa / Bracket	50.SS.1070.0
8	1	Rondella M10 / Washer M10	50.73.013.1
9	1	Vite M10x25 / Screw M10x25	50.73.862.1
10	1	Db Killer forato / Drilled DB killer	50.DK.126.0
11	1	Tubo di raccordo / Link pipe	97730010SE
12	1	Guarnizione in grafite / Graphite bush	50.72.38.44.28
13	1	Fascetta Ø 44/47 mm / Pipe clamp Ø 44/47 mm	50.FA.006.1

Catalytic Converter
Cod. ACC.046.A1
*Optional for O.010.LRB
Included in O.010.KRB*



APPLICAZIONI / APPLICATIONS

CODICE / CODE	SILENZIATORE / MUFFLER	TUBO / PIPE	NOTE
O.010.LRB	STEEL BLACK	INOX / ST. STEEL	CATALYTIC CONVERTER NOT INCLUDED
O.010.KRB	STEEL BLACK	INOX / ST. STEEL	CATALYTIC CONVERTER INCLUDED

